

## LED Traffic Signal

**Series 438 230Vac**  
**200 mm / 300 mm**



- **High efficiencies as a result of the new High Flux Reflector Technology and Central Light Source**
- **No Colour Phantom when fitted with the blackened (smoked effect) lens**
- **Unrivalled reading contrast**

Dialight Garufo GmbH  
Gewerbepark Spörerau 25, 85368 Wang, Deutschland  
Tel.: +49(0)8709/9249-0 Fax: +49(0)8709/9249-10  
Email: [sales@dialightgarufo.com](mailto:sales@dialightgarufo.com)  
Internet: [www.dialightgarufo.com](http://www.dialightgarufo.com)

## Optical advantages and characteristics

	Typical Data		Standard		Definition	
	200 mm	300 mm	200 mm	300 mm	200 mm	300 mm
<b>Luminous Intensity</b> Red Yellow Green	350 cd 350 cd 350 cd	400 cd 400 cd 400 cd	EN 12368, 6.3, Tab. 1		B 2/1 Type W	B3/1 Type N
<b>Light distribution</b>	Wide angle	Narrow angle	EN 12368, 6.4, Tab. 3	EN 12368, 6.4, Tab. 5	Type W, category B	Type N, category B
<b>Uniformity</b>	minimum 1:2,2	minimum 1: 2,5	EN 12368, 6.5		>1:10	>1:15
<b>Phantom light</b>	No colour phantom (black lens)		EN 12368, 6.6		No 'false' signal in direct sunlight	
<b>Ratio signal light / reflection</b>	Red > 16 Yellow > 16 Green > 16	Red > 16 Yellow > 8 Green > 16	EN 12368, 6.6		class 5 class 5 class 5	class 5 class 4 class 5
<b>Light colours</b>	Red, Yellow, Green, White		EN 12368, 6.7 DIN 6163, Part 5			

measured at room temperature

## Electrical characteristics: Preliminary

	Typical power consumption	Current at 230 Vac
<b>Red</b>	Nominal 9.5 Watt	41 mA
<b>Yellow</b>	Nominal 9.5 Watt	41 mA
<b>Green</b>	Nominal 9 Watt	39 mA
<b>White</b>	Nominal 9 Watt	39 mA

measured at room temperature

## Ambient Conditions

Storage temperature	-20°C to +60°C
Storage relative humidity	Max. 70%
Operating temperature	-40°C to +60°C

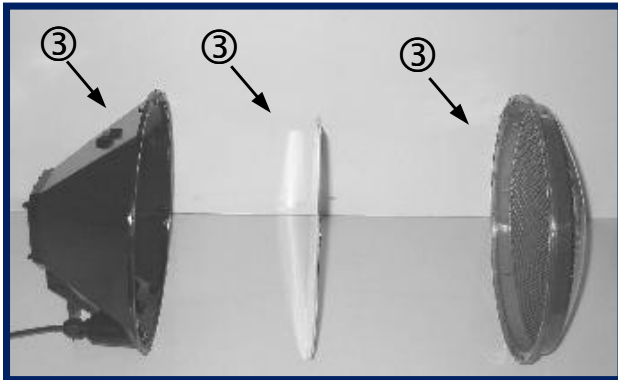
## Part Numbers

	Black Outer Lens	Coloured Outer Lens
200mm	Red 143806	Red 143909
	Amber 143807	Amber 143910
	Green 143808	Green 143911
	White 143915	N/A
300mm	Red 143809	Red 143912
	Amber 143810	Amber 143913
	Green 143811	Green 143914
	White 143916	N/A

Dialight Garufo GmbH  
 Gewerbepark Spörerau 25, 85368 Wang, Deutschland  
 Tel.: +49(0)8709/9249-0 Fax: +49(0)8709/9249-10  
 Email: sales@dialightgarufo.com  
 Internet: [www.dialightgarufo.com](http://www.dialightgarufo.com)

Dialight Garufo reserves the right to change without prior notice the information on this datasheet

## Composition



- ③ **Front disc material:**  
Polycarbonate.  
(Black and colour dye lens available)
- ③ **Fresnel lens material:**  
Clear Acrylic
- ③ **Material housing:**  
Polycarbonate

## Symbols

### Flexible symbol design

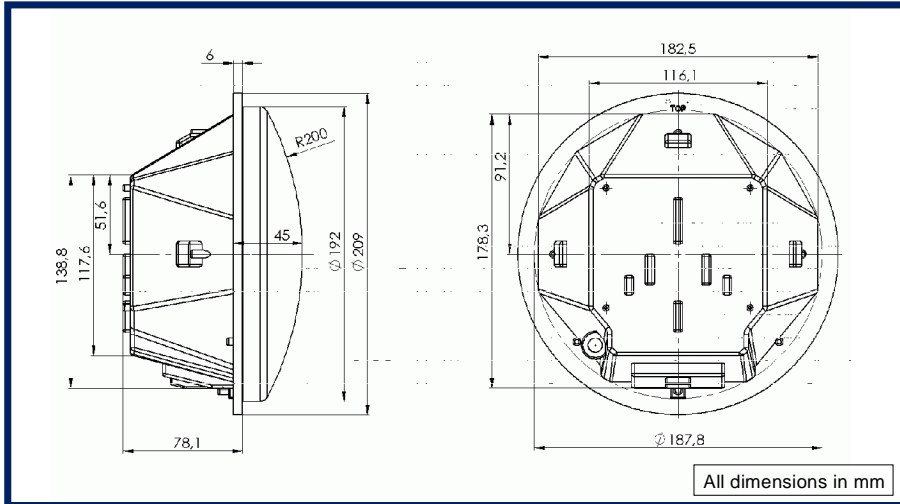
Standard or customised symbol designs can be supplied on laser-cut, polycarbonate masks. The mask is mounted inside the outer lens or supplied separately. The outer lens can be supplied in a 'semi-locked' condition to allow the mask to be swapped or removed before the lens is finally locked in position and installed.



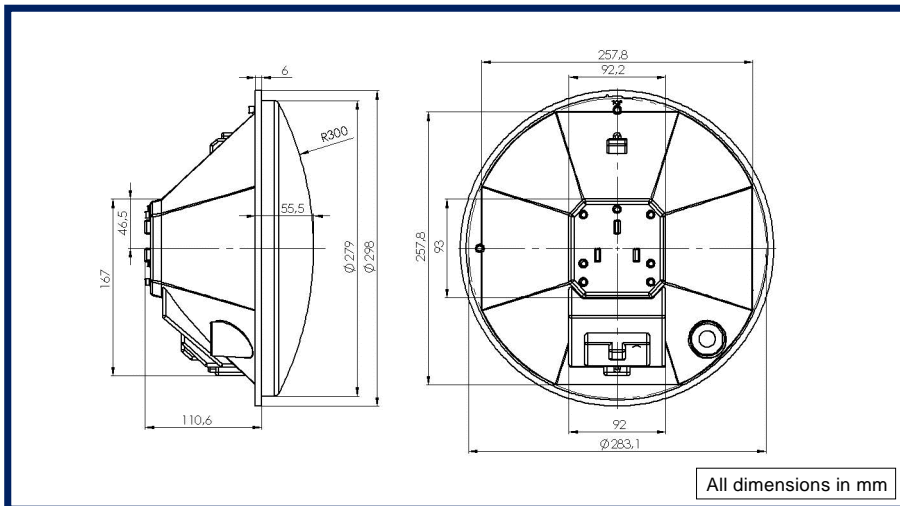
Dialight Garufo GmbH  
Gewerbepark Spörerau 25, 85368 Wang, Deutschland  
Tel.: +49(0)8709/9249-0 Fax: +49(0)8709/9249-10  
Email: [sales@dialightgarufo.com](mailto:sales@dialightgarufo.com)  
Internet: [www.dialightgarufo.com](http://www.dialightgarufo.com)

## Dimensions

### 200mm



### 300mm



Dialight Garufo GmbH  
Gewerbepark Spörrerau 25, 85368 Wang, Deutschland  
Tel.: +49(0)8709/9249-0 Fax: +49(0)8709/9249-10  
Email: [sales@dialightgarufo.com](mailto:sales@dialightgarufo.com)  
Internet: [www.dialightgarufo.com](http://www.dialightgarufo.com)